



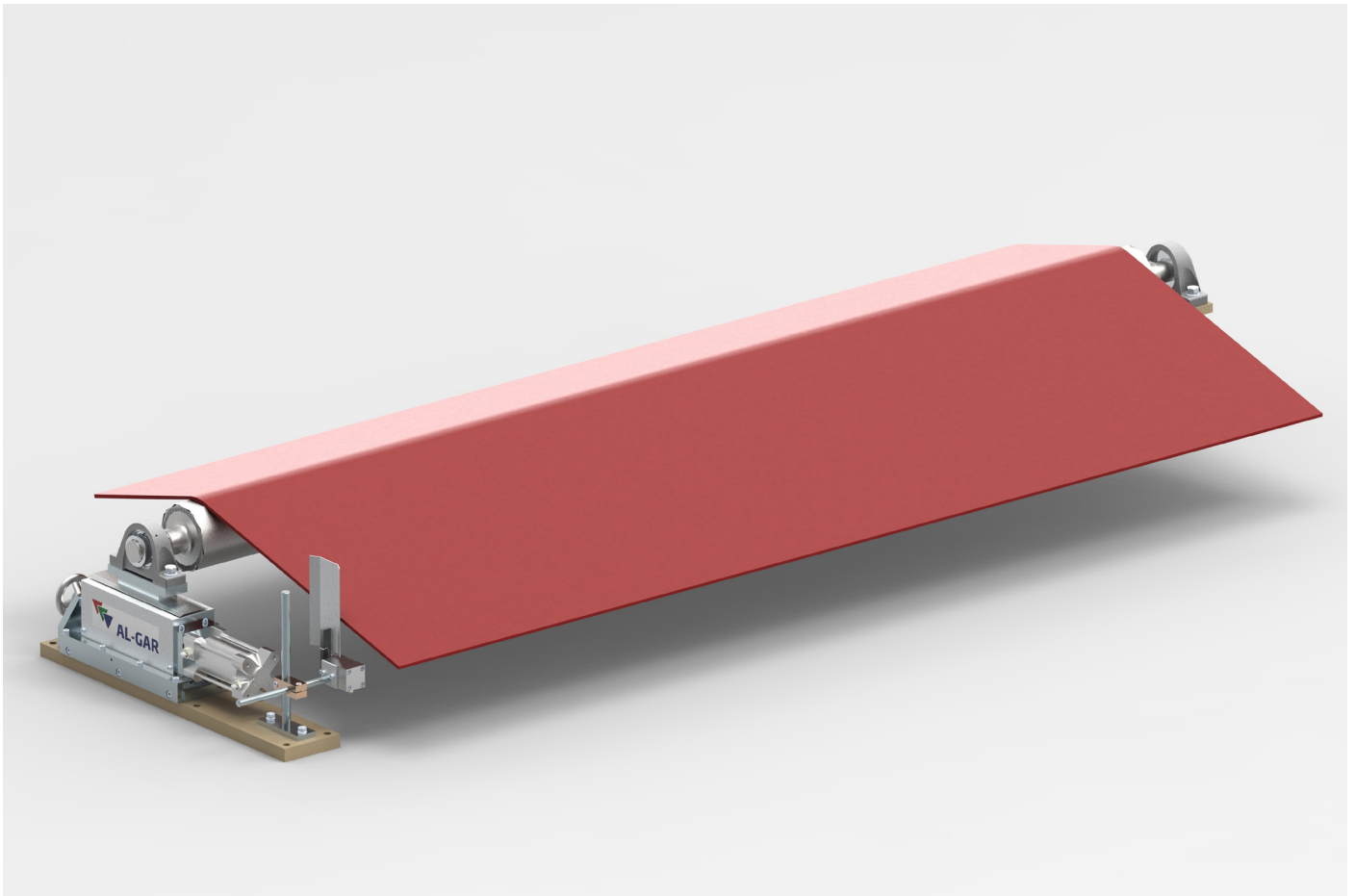
Design & Production

CORRUGATOR

~ Double facer belt guide



Optimisation of the production process
and improvement of the finished product



CORRUGATOR

~ Double facer belt guide

Our guide allows for guiding the double facer's belt automatically.

The equipment's main characteristics are as follows:

- Immediate response to the belt's movement.
- Absolute system reliability due to it acting through contact between the belt and the feeler, without the need for photocells.
- Guiding is carried out by means of an actuator roller.
- Guiding and feeling system with a stand.
- Simple installation, no electric components.

